



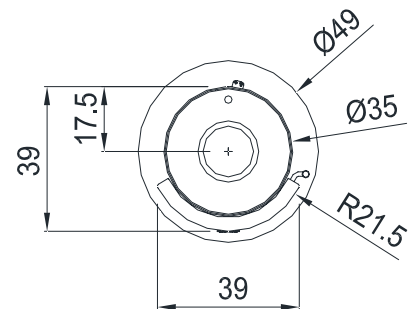
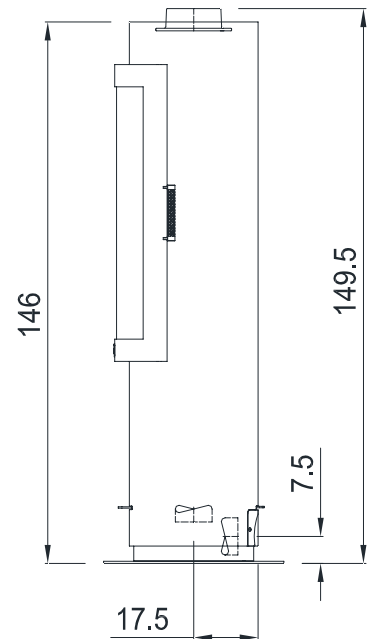
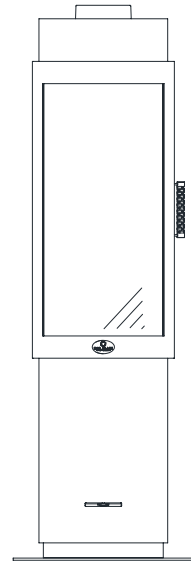
MAX BLANK
HIGH QUALITY

DIJON S

**wood or pellet
without electricity**

Technical specifications of the slender, vertical format stove:

measurements (cm)	width	height	depth
stove	35	146	35
combustion chamber	26	68	30
fire glass	33	68	
fire door	39	80	
flue pipe connection Ø 15 to ↑ height to pipe socket above			149,5
outside air connection Ø 10 to → or ↓ height to mid connection horizontal			7,5
depth to mid connection vertical			17,5
total weight	chamotte bricks	heat accumulator	
131 kg	17,5 kg	-	
data for	pellet box	wood	
nominal heat output	7 kW	8,5 kW	
output range	7 - 5 kW	8,5 - 6 kW	
efficiency	85%	81%	
heating capability*	35 - 100 m³	70 - 210 m³	
amount of fuel	2,2 kg	2,7 kg / h	
fire duration	up to 1,2 - 2 h	up to 0,8 - 1,6 h	
heat release	up to 4 h	up to 4 h	
flue gas flow volume	9,40 g/s	10,95 g/s	
exhaust °C (nozzle)	220 °C	265 °C	
min/max feed press.	12 / 15 Pa	12 / 15 Pa	
CO (13%/O2) [mg/m³]	594	1072	
CO (13%/O2) [%]	0,048	0,086	
dust (13%/O2) [mg/m³]	17	38	
NOx (13%/O2) [mg/m³]	98	125	
CxHy (13%/O2) [mg/m³]	14	78	
wall distance, rear	37 cm	37 cm	
at 4 cm Promat-Iso.	18 cm	18 cm	
wall distance, side	37 cm	37 cm	
at 4 cm Promat-Iso.	18 cm	18 cm	
distance to the front	80 cm	80 cm	



Fulfils the latest standards in burning wood, wood-briquettes and pellets (please see applicable standards).

Please check the instruction manual for this wood & pellet burning stove.

Suitable for multiple chimneys.

All emission values at 100 cm length of flue tube.

* depending on stove location in the living area, room isolation, height of the room and amount of fuel

Subject to alterations; errors including printer's errors.

Our specialised stove builders and retailers will assist you with practical advice.

The slim & vertical stove, model Dijon S

ENR	model	delivery time	
238-2001	Dijon S † fixed <ul style="list-style-type: none"> • wood only (without pellet accessories) • stove body and door in steel anthracite • high flame fire chamber for pellet or wood • fire chamber rear wall made of 3 cm heat-storing chamotte • self-locking door with cool design handle • the round glass door offers best views 	3	
238-2021	Dijon S † rotatable <ul style="list-style-type: none"> • wood only (without pellet accessories) • stove body and door in steel anthracite • high flame fire chamber for pellet or wood • fire chamber rear wall made of 3 cm heat-storing chamotte • self-locking door with cool design handle • the round glass door offers best views 	3	
pellet accessories for the slim & vertical stove			
556-2004	pellet box with 7 kW (at stove purchase) pellet box with 7 kW (retrofit kit) <ul style="list-style-type: none"> • made of heat-resistant stainless steel • at type S with 2, at type XL with 3 black ceramic specialised glasses • with lighter, silicone gloves, pellet-felt bag up to 20 kg, cleaning brushes, pellet shovel provided, stainless steel ball 		
29 232 311	floor protector stainless steel (see accessories)		
29 232 400	floor protector glass (see accessories) especially for this stove type Outside air connection is prepared: Be sure to specify when ordering: outside air connection horizontal or vertical (is included in scope of delivery - rotatable only vertical possible) For other connection accessories, please see list of accessories.		
special features of the slim & vertical oven, model Dijon S			
<p>The model Dijon S offers an easy to use swap-operation between wood and pellet. Heat without electrical power and use all advantages of this double feature oven: pellet AND wood! Swap easy and comfortable between fuels within 5 minute. Discover the special features of our fire-combo-romantic on YouTube! Free to choose fuel makes you more independent! Get whatever is cheapest at the moment and save money.</p> <p>The slim and vertical oven, model Dijon S</p> <ul style="list-style-type: none"> • space-saving and yet powerful • fits perfectly in almost every room layout because of its slim figure • the stove can be turned into your favourite direction! Change it as you like! • pellet accessories are available as an optional choice. • pellet fire is just as diverse and romantic as fire from logs. • radiant heat is a beautiful and very pleasant heat • independent from changing prices: one can swap from pellet to log fire within 5 minutes • the ash container needs cleaning only ones or twice per season (for pellet use only) • more special features and extras at the last pages • choose your stainless steel or glass floor protector from the list of accessories ...easy to remove during summer times 			